

ALYSIUM PRODUCT DOCUMENT SPECIFICATION PACK

This Document Pack is for the Specification:

A74-9968 [0.4] .002 X -

Which comprises of the following SubComponents:

Application Testing

ATR 0000.003	X	Validated	25/09/2017 02:42:00	ATR 0000.003.pdf	1
ATE 2000	00	Validated	26/04/2016 03:04:00		

Electrical Testing

ETR 1901.000	X	Validated	29/07/2020 03:21:00	ETR 1901.000.pdf	1
ETE 1901	00	-			

Manufacturing Process

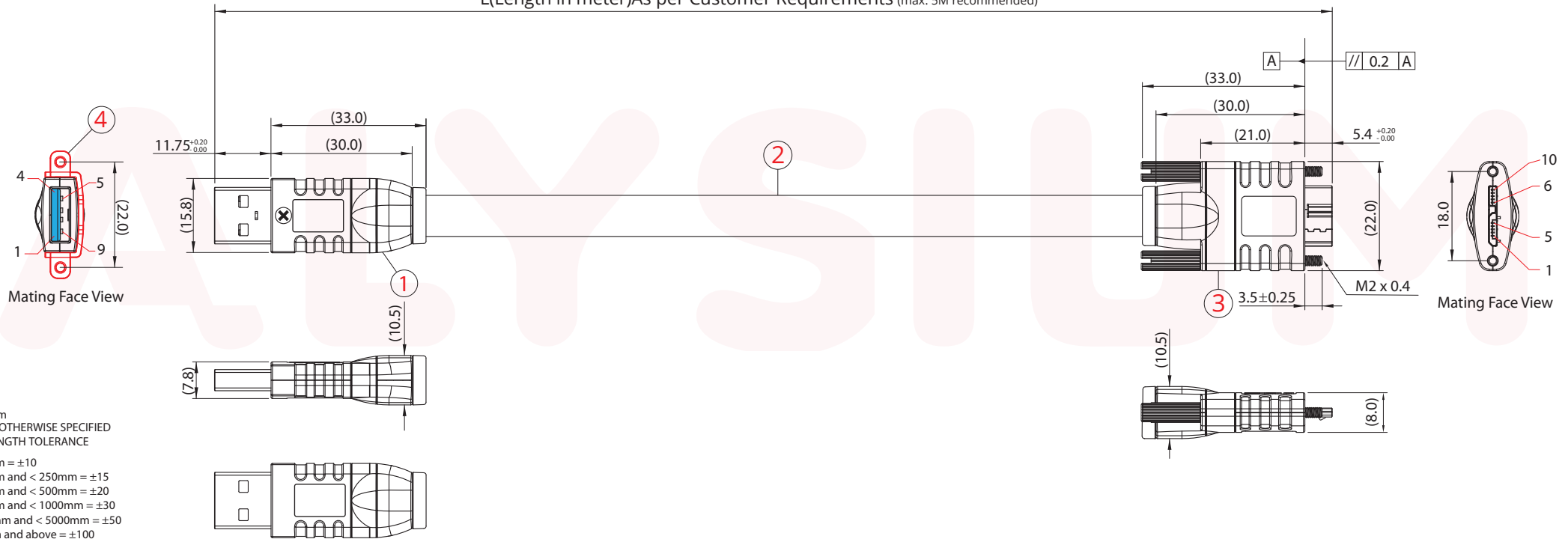
LPR 0001(USB 3 AM-MicM) .001	X	-		LPR 0001(USB 3 AM-MicM) .001.pdf	1
Label on Bag (ALY CE)	00	-			
Label on Cable (Pad Print WHT)	00	-			
USB A (DC) Bracket	02	Validated	11/07/2017 05:55:00	USB A 3.0 (DC) Bracket(02).pdf	1
				USB A 3.0 (DC) Bracket(02).pdf	1
A99-7550	00	-			
M2 4x17 Thumb Screw	00	-			
M2.6 3.8x3.5 Flat Head Screw	00	-			

USB Assembly

P74-9968[0.4] .000	X	Validated	27/04/2017 04:56:00	P74-9968.000.pdf	1
A86-4730(T)	02	Validated	10/03/2020 02:32:00	A86-4730(T) (02) .pdf	1
USB A (DC) Bracket	02	Validated	11/07/2017 05:55:00	USB A 3.0 (DC) Bracket(02).pdf	1
				USB A 3.0 (DC) Bracket(02).pdf	1
A99-7550	00	-			
M2 4x17 Thumb Screw	00	-			
M2.6 3.8x3.5 Flat Head Screw	00	-			
USB A 3.0 (OD5.8 DCT)	01	Validated	25/06/2018 00:37:00	USB A 3.0 (OD5.8 MH) .pdf	1
A46-7378	00	-		A46-7378.pdf	1
A99-7117	00	-			
USB MicB 3.0 s1 (OD5.8 DC)	00	-		USB MicB 3.0 s1 (OD5.8 mh) .pdf	1
A79-5611	01	Validated	20/07/2020 01:04:00	A79-5611(01) .pdf	1
A99-7045	00	-			



L(Length in meter)As per Customer Requirements (max. 5M recommended)



UNIT: mm
 UNLESS OTHERWISE SPECIFIED
 ASSY LENGTH TOLERANCE

< 150mm = ±10
 ≥ 150mm and < 250mm = ±15
 ≥ 250mm and < 500mm = ±20
 ≥ 500mm and < 1000mm = ±30
 ≥ 1000mm and < 5000mm = ±50
 5000mm and above = ±100

RoHS COMPLIANT

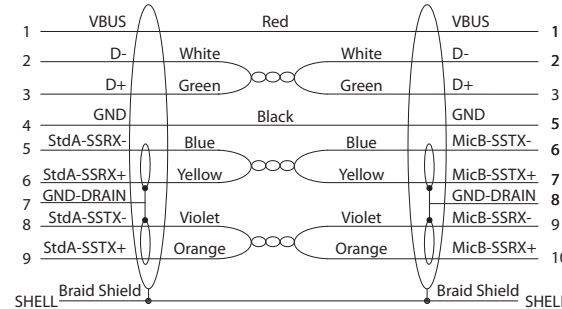
This document is the property of Alysium-Tech. It must not be copied or otherwise disclosed without prior written consent



BILL OF MATERIALS

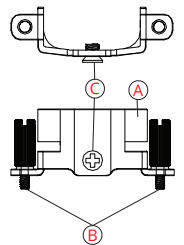
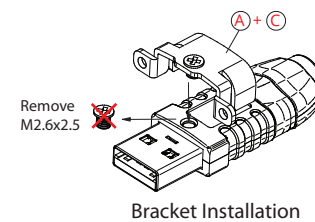
Item	Description
1	A+ USB A 3.0 (OD5.8 Die Cast Threaded) Die Cast Shell incl. M2.6x2.5 screw (to be disposed, when bracket is applied)
2	A86-4730(T), [OD=6.2mm] <BLK> E357566-ALY-T UL2725 2STP(#26x2C)+STP#28+2C#22
3	A+ USB MicB 3.0 sl (OD5.8 Die Cast) Die Cast Shell
4	USB A 3.0 (Die Cast) sl Bracket (Refer to Accessories Details)

WIRING DIAGRAM



ACCESSORIES DETAILS

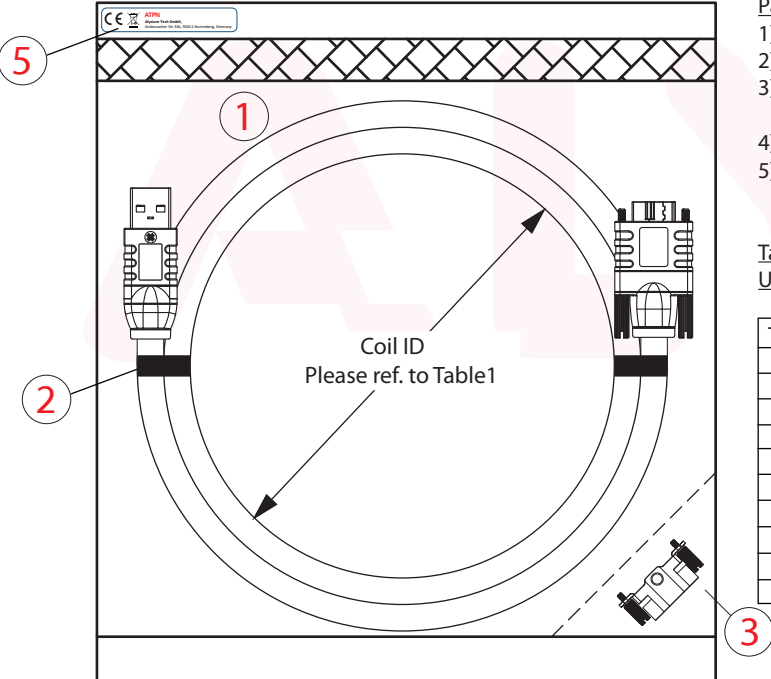
This Assembly/ Item ④ inclusive of accessories as per below shown:
 A) Metal Sheet Bracket for USB A 3.0 (1pc)
 B) M2 Thumb Screw (2pcs)
 C) M2.5x3.0 Flat Head Screw (Pre-Installed in Metal Sheet Bracket) ① (1pc)





Heat Sealed PE Bag Packaging

Cable Assembly Example:



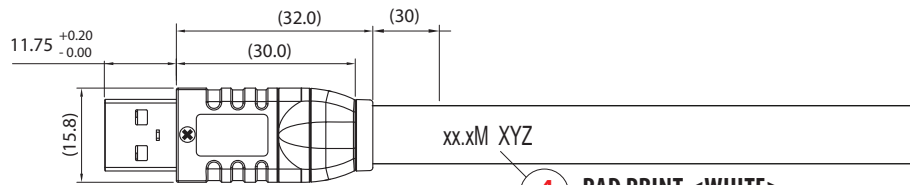
Packaging Content:

- 1) Basic Assembly x1
- 2) Magic Tie/ Cable Tie x2
- 3) Accessories
-USB A 2.0/ 3.0 Locking Bracket x1 + Thumbscrew x2 + Flat head Screw x1
- 4) White Pad Print on Cable
- 5) Label On Bag (ALY CE) x1

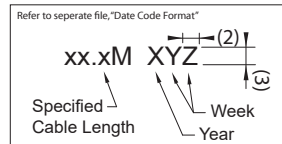
Table 1: Assembly Coiling Inner Diameter Unless Otherwise Specified

Type of Cable [Jacket OD(mm)]	Coil ID (mm)
Default	150
MCD-USB-211[7.3]	250
MCD-USB-213[7.4]	250
MCD-USB-213(T)[8.0]	250
MCD-USB-209B[7.4]	250
A87-3502[9.45]	250
A87-3502(C)[8.00]	250

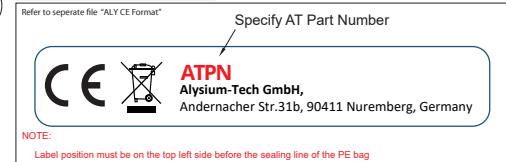
Cable Label Guideline



4 PAD PRINT <WHITE>



5 ALY CE LABEL DETAIL



Electrical Test Criteria

- 1) Open/Short circuit
- 2) Intermittent
- 3) Insulation Resistance

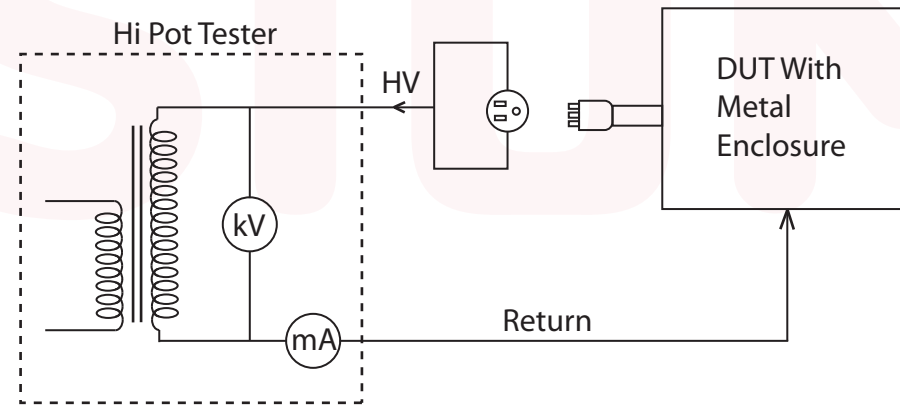
Hi Pot Tester Model
HB-550 (ATPN : ETE 1901)

Measurement Parameters


Voltage = 300VDC,
Insulation Resistance > 20M Ohm,
Time = 0.1s

Sampling size

100% Check



Simulated Line Leakage Diagram

Test Equipment	Test Procedure	Acceptable Pass Criteria
<p>PassMark USB 3.0 Loop Back Plug Tester Model: PMUSB03</p> 	<p>No errors displayed or counted in the interface.</p> <p>Speed should always be 5Gb/s and the voltage should be around 5V with a tolerance of ± 50 mV.</p> <p>Test duration must be set to 0.5 min.</p>	<p>The superspeed values for READ and WRITE speed should be above 2000Mb/s or 200MB/s.</p> <p>When the assemblies are connected with the loopback device with the CPU, the interface of software will detect super speed and can run up to 30s cycle time. Only then the assemblies are categorized as PASS.</p> <p>But, if the interface of the software only detects high speed, then the assemblies are automatically categorized as FAIL.</p>

Note:

The above test is applicable only for USB 3 cable assembly USB A 3.0 TO USB Micro B 3.0 only.

Sampling Size:

100% Check